

ZEUS HYDRATECH LTD
Global Suppliers of Premium Hydraulic Components

Official UK Distributor for Auburn Gear Power Wheel Drives

T: +44(0)1172 130042. E: sales@zeushydratech.com. W: zeushydratech.com



Model 145
Power Wheel[®]
Planetary Gear Drive

Model 145 Wheel Drives - Double Reduction

Power Wheel®

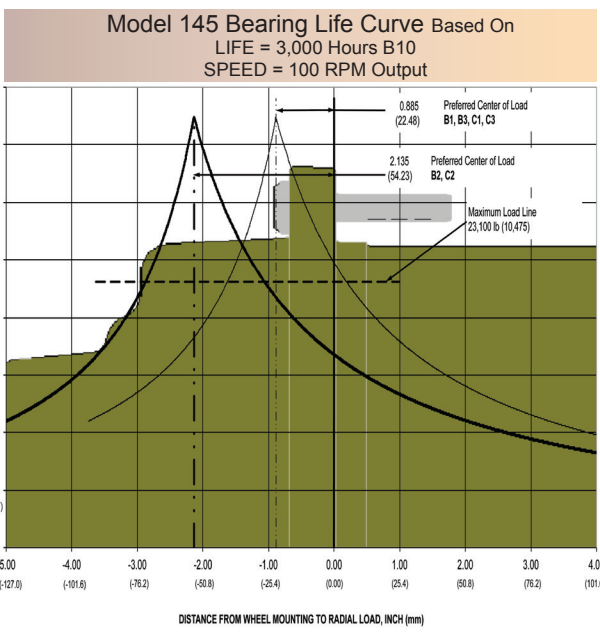
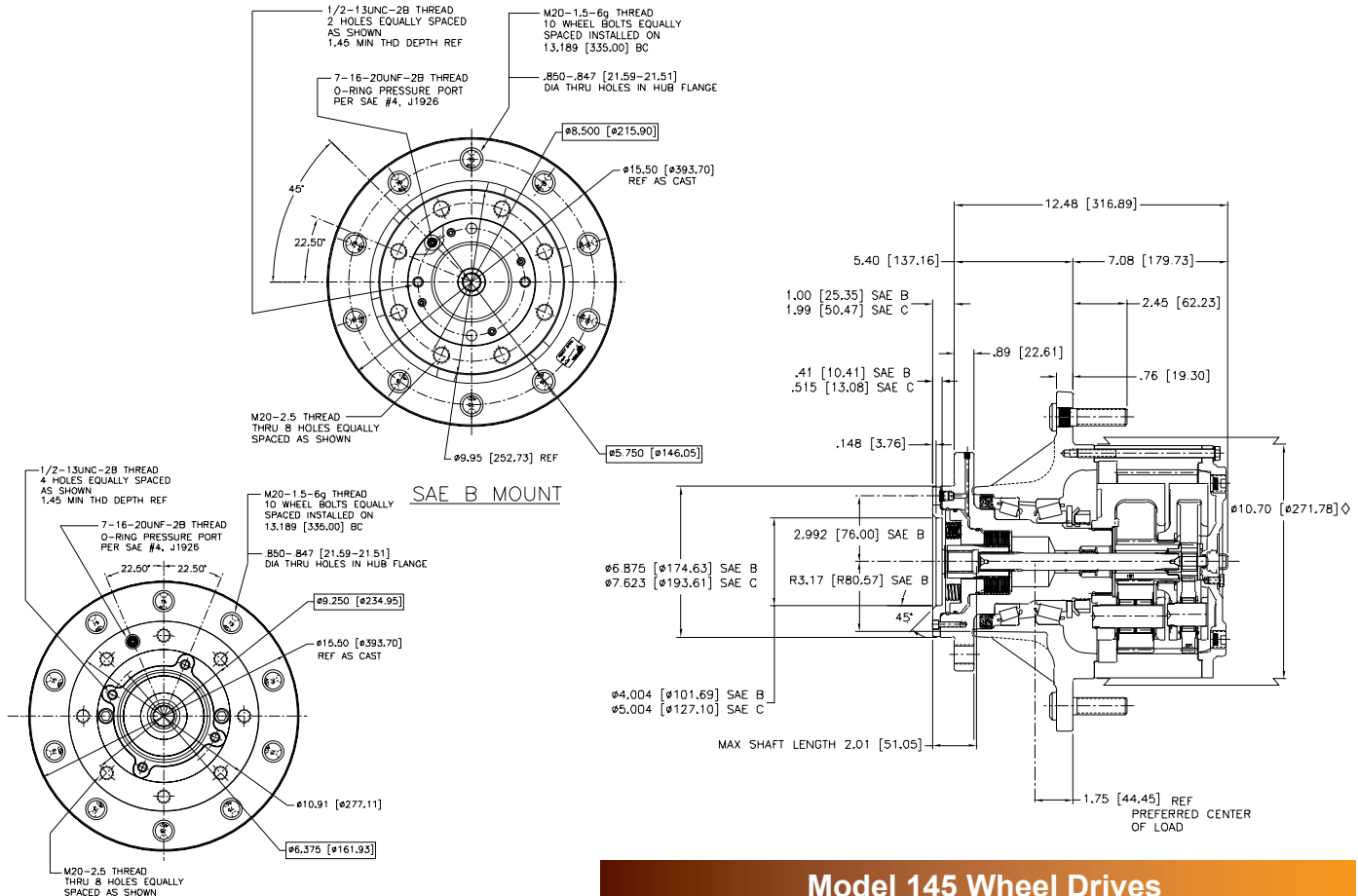
GENERAL SPECIFICATIONS

Max. intermittent output torque¹: 145,000 lb-in (16,400 N-m)
Max. input speed²: 5,000 RPM

Approximate weight: 205 lbs (93 kg)
Oil capacity: 67 oz (1,981 cc)

¹ Depending on the duty cycle and the nature of the application, a normal continuous output torque of 1/3 to 1/2 of the maximum intermittent should yield satisfactory Power Wheel life. Customer testing and application analysis is strongly recommended.

² For A2 and N series brake units, please contact Auburn Gear for input speeds above 4,000 rpm for application analysis.



Model 145 Wheel Drives											
Options	Description	Make all selections within one column			Order Codes	Use option order codes to build order code number					
MOTOR PILOT / HUB	WA2	*	*	*	145WA2						
	WA4	*	*	*	145WA4						
	WB1	*	*	*	145WB1						
	WB2	*	*	*	145WB2						
	WB3	*	*	*	145WB3						
	WB7	*	*	*	145WB7						
	WC1	*	*	*	145WC1						
	WC2	*	*	*	145WC2						
INPUT SPLINE	13T 16/32	*	*	*	13						
	14T 12/24	*	*	*	14						
	15T 16/32	*	*	*	15						
	21T 16/32	*	*	*	21						
RATIO OPTIONS	30.50:1	*	*	*	30						
	34.50:1	*	*	*	34						
	49.00:1	*	*	*	49						
WHEEL STUDS	5/8" x 2.37"	*	*	*	8						
	3/4" x 3.21"	*	*	*	11						
	M20 x 1.5 x 80mm	*	*	*	19						
	None	*	*	*	0						
PARKING BRAKE	3200 lb-in/220psi	*	*	*	B5						
	3600 lb-in/230psi	*	*	*	B6						
	4200 lb-in/280psi	*	*	*	B7						
SPECIAL FEATURES	2800 lb-in/125 psi	*	*	*	N4						
	Multi-Lip Seal	*	*	*	T						
	Brake Disc Holes	*	*	*	DH						
	Boot Seal	*	*	*	Z						
	Pipe Plugs/ Spindle Side Quick Disconnect	*	*	*	P						
					Q						
						145WB7	15	34	19	N4	T

Model 145 Shaft - Spindle Output - Swing Drives

Double Reduction

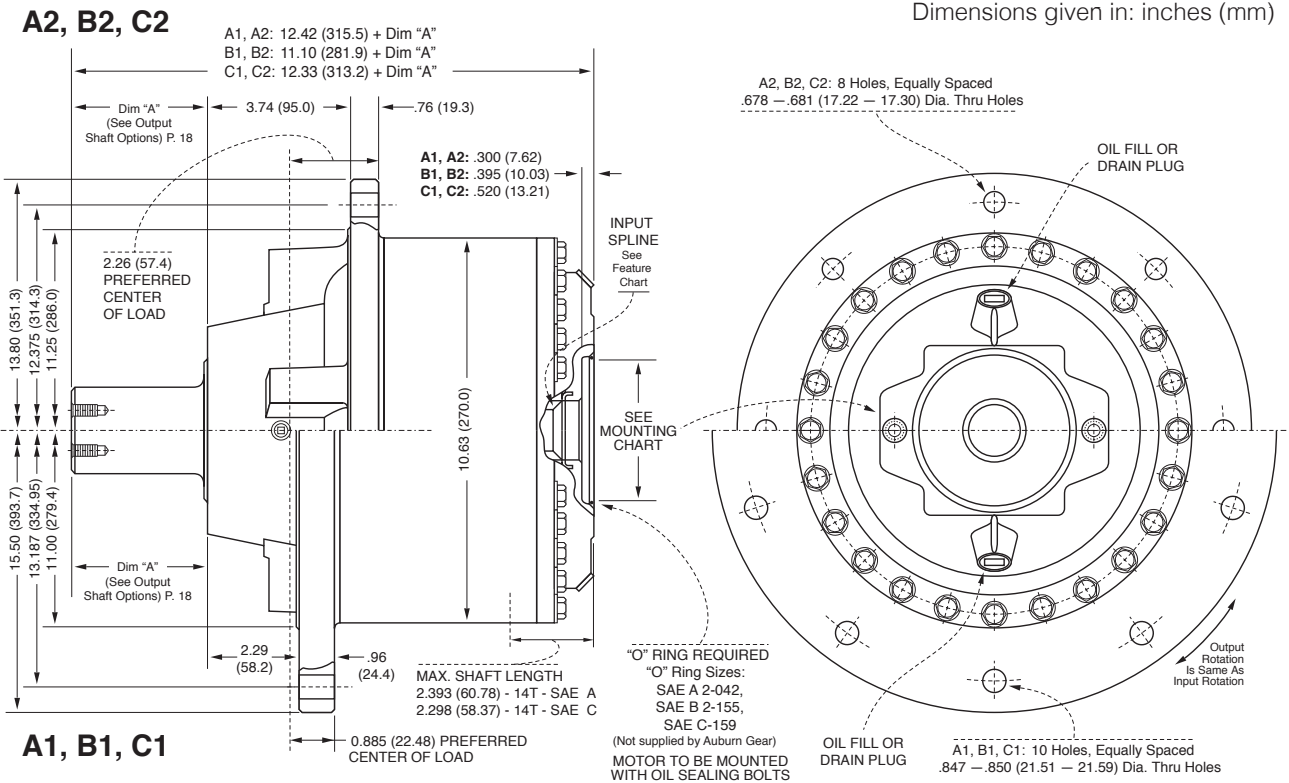
Power Wheel®

GENERAL SPECIFICATIONS

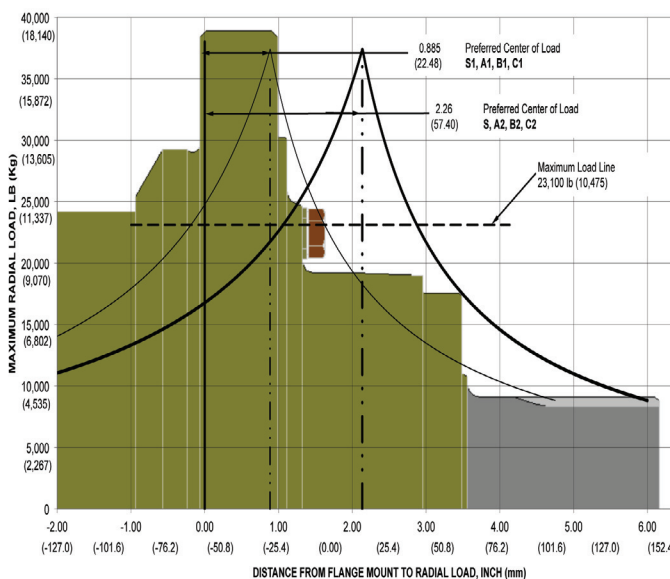
Max. intermittent output torque¹: 145,000 lb-in (16,400 N-m)
 Max. input speed²: 5,000 RPM

Approximate weight: 194 lbs (88 kg)
 Oil capacity: 67 oz (1,981 cc)

¹ Depending on the duty cycle and the nature of the application, a normal continuous output torque of 1/3 to 1/2 of the maximum intermittent should yield satisfactory Power Wheel life. Customer testing and application analysis is strongly recommended.
² For A2 and N series brake units, please contact Auburn Gear for input speeds above 4,000 rpm for application analysis.



Model 145 Bearing Life Curve Based On
 LIFE = 3,000 Hours B10
 SPEED = 100 RPM Output



Model 145 Shaft & Spindle Out & Swing Drives*

Options	Description	Make all selections within one column					Order Codes	Use option order codes to build order code number					
MOTOR PILOT/HUB*	A1 A2 B1 B2 C1 C2	*	*	*	*	*	145SA1 145SA2 145SB1 145SB2 145SC1 145SC2	145SC1					
INPUT SPLINE	13T 16/32 14T 12/24	*	*	*	*	*	13 14	14					
RATIO OPTIONS	31.50:1 35.50:1 50.00:1	*	*	*	*	*	31 35 50	50					
OUTPUT SHAFTS** & SPINDLES	2.5" Hex 2.625" Hex 3.0" Keyed 20T - 8/16 23T - 8/16 23T - 8/16 (8) 5/8 - 11 holes on a 9.50" B.C. (8) thru holes on a 9.50" B.C. (8) 3/4 - 10 holes on a 9.50" B.C.	*	*	*	*	*	H1 H2 K2 20 23S 23L	23L					
PARKING BRAKE	3200 lb-in/220psi 3600 lb-in/230psi 4200 lb-in/260psi 2400 lb-in/135psi 3600 lb-in/185psi 4200 lb-in/210psi	*	*	*	*	*	B5 B6 B7 B4 B6 B7				B7		
SPECIAL FEATURES	Multi-Lip Seal Brake Disc Holes Boot Seal Pipe Plugs/ Spindle Side Debri Guard #1 Debri Guard #2	*	*	*	*	*	T DH Z P G G1					T P	
							145SC1	14	50	23L	B7	TP	

* Swing Drive Hub arrangements available - contact Auburn Gear
 ** Output Pinion Gears for swing drives also available - contact Auburn Gear

Model 145 Features

- Enhanced gear technology provides **more power density** without increasing external dimensions
- Precision computer-aided bearing setting allows for **optimal bearing life**
- Optimized carrier designs provide for greater resistance to shock and torsional loads, hence **increasing gear box life**
- Increased bearing capacity allows for **additional radial load**



400 East Auburn Drive
Auburn, Indiana 46706-3499 • USA
ph: 260.925.3200
fx: 260.925.4725
e-mail: powerwheel@auburngear.com
web: <http://www.auburngear.com>

Model 145
Power Wheel®
Planetary Gear Drive



Our international sales network covers every jurisdiction. Our global shipping partners mean you can be sure we're on hand whenever you need us.

Zeus Hydratech Ltd

Unit 35
Old Mills Industrial Estate
Paulton
Bristol, BS39 7SU
United Kingdom

T. +44 (0) 1172 130042
E: info@zeushydratech.com
W. www.zeushydratech.com