

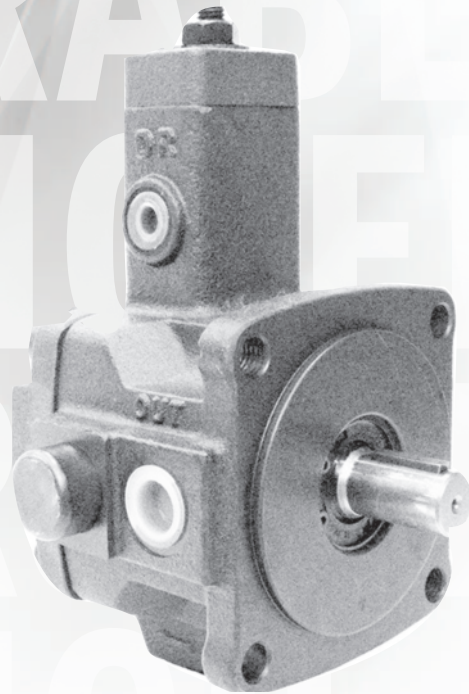
ZEUS HYDRATECH LTD
Global Suppliers of Premium Hydraulic Components

Official UK Distributor for Continental Hydraulic Components
T: +44(0)1172 130042. E: sales@zeushydratech.com. W: zeushydratech.com



CONTINENTAL HYDRAULICS

PVER VANE PUMPS



PVER VANE PUMPS

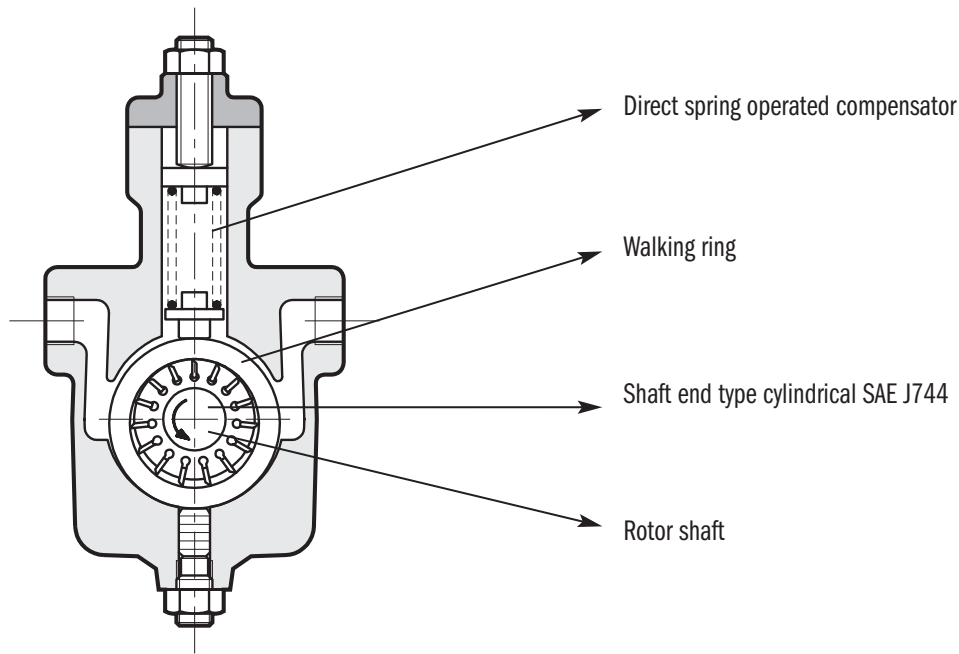
POWERFUL

PVER PUMPS

FEATURES AND BENEFITS

The PVER series vane pumps are variable displacement vane pumps with direct spring pressure regulation.

- The pressure regulator adjustable load spring keeps the pump group cam ring in eccentric position. When the outlet pressure equals the pressure corresponding to the spring setting, the cam ring is moved so to reduce the displacement, adjusting the flow rate to the values required by the system. In zero flow demand conditions, the pump delivers oil only to compensate for any system leakage, keeping the circuit pressure constant.
- Available in four displacement from .403 to 1.35 in³/rev (6,6 to 22,2 cm³/rev) and with pressure up to 1.000 PSI (70 bar).
- This pump series incorporates Pressure Balanced Thrust Plates that improve and maintain the volumetric efficiency throughout the pressure range.



INSTALLATION

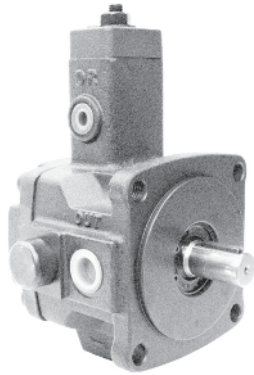
- The PVER pumps can be installed with the axis oriented in any position.
- The suction line must be suitably sized to facilitate the flow of oil. Bends and restrictions or an excessive line length can impair correct operation of the pump.
- The drainage port must be connected directly to the tank by a line separate from other discharges, located far from the suction line and lengthened to below the minimum oil level so as to avoid formation of foam.
- The pump start up, especially at a cold temperature, should occur with the pump unloading.
- The pumps are normally positioned directly above the oil tank. Flooded suction port installation of the pumps is advisable in the case of circuits with high flow rates and pressures.
- The motor-pump connection must be carried out directly with a flexible coupling. Couplings that generate axial or radial loads on the pump shaft are not allowed.

PUMP	NOISE LEVEL [dB] (A)	
	null displacement	full displacement
PVER-3B	61	63
PVER-5B	62	65
PVER-7B	64	68
PVER-10B	64	70

The noise pressure levels were measured in a semi-anechoic room, at an axial distance of 1 m from the pump. The values shown must be reduced by 5 dB(A) if they are to be considered in a completely anechoic room.

PVER PUMPS

VANE PUMPS



DESCRIPTION

The PVER pumps are variable displacement vane pumps with direct pressure regulator governor spring for fast on/off response. The pump group is complete with hydrostatic axial compensation distribution plates that improve the volumetric efficiency and reduce wear of the components.

The pressure regulator adjustable load spring keeps the pump group cam ring in eccentric position.

When the delivery pressure equals the pressure corresponding to the spring setting, the cam ring is moved so to reduce the displacement, adjusting the flow rate to the values required by the system.

In zero flow demand conditions, the pump delivers oil only to compensate any possible leakage, keeping the circuit pressure constant.

The PVER pumps are available in four sizes with maximum displacement from 0.4 to 1.35 cu in/rev and with pressure regulator max setting values up to 500 PSI and 1000 PSI (standard).

TYPICAL PERFORMANCE SPECIFICATIONS

PUMP SIZE		PVER-3B	PVER-5B	PVER-7B	PVER-10B
MAXIMUM DISPLACEMENT	in ³ /rev	0.403	0.68	1.01	1.35
	(cc ³ /rev)	6.6	11.1	16.6	22.2
FLOW AT 1800 RPM	GPM	3.2	5.3	7.9	10.6
	(lpm)	12	20	30	40
OPERATING PRESSURE	PSI / bar	1000 PSI / 70 bar			
OPERATING SPEED	RPM	800 min to 1800 max			
ROTATION DIRECTION		Clockwise (as viewed from shaft side)			
PORT SIZE AND TYPE		BSPP (parallel) threading fittings			
MOUNTING FLANGE		SAE-A flange J744 - 2 holes		4HNA rectangular flange - 4 holes	
WEIGHT	LBS	11	13.2	20	20
	(kg)	5	6	9	9
AMBIENT TEMPERATURE RANGE	°F (°C)	-4 to 120 (-20 to +50)			
FLUID TEMPERATURE RANGE	°F (°C)	+14 to 160 (-10 to +70)			
FLUID CLEANLINESS		ISO 18/16/13 is recommended			
REC. OPERATING VISCOSITIES	SUS (cSt)	120 to 234 (20 to 50)			

IDENTIFICATION CODE

PVER - [] B [] - [] - [] - [] - [] ————— DESIGN LETTER

FLOW RATE @ 1800 RPM	
CODE	DESCRIPTION
3	3.2 gpm
	12 lpm
5	5.3 gpm
	20 lpm
7	7.9 gpm
	30 lpm
10	10.6 gpm
	40 lpm

PRESSURE RANGE	
CODE	DESCRIPTION
05	220 to 500 PSI
	15 to 35 bar
10	725 to 1000 PSI
	50 to 70 bar

ROTATION	
CODE	DESCRIPTION
RF	CLOCKWISE ROTATION

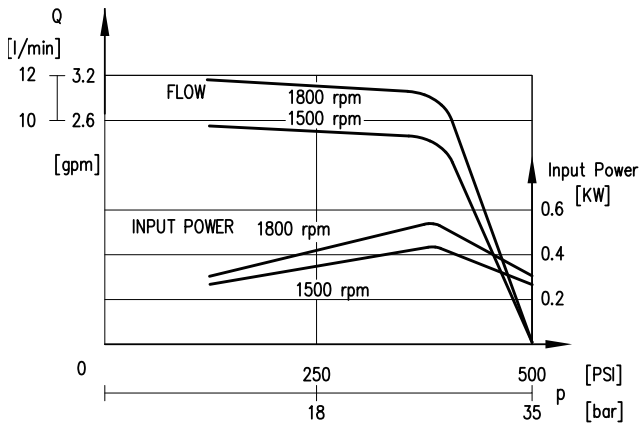
SEALS	
CODE	DESCRIPTION
0	BUNA-N

PORTS	
CODE	DESCRIPTION
1N	BSP (British Standard Pipe Parallel) threading hydraulic connection

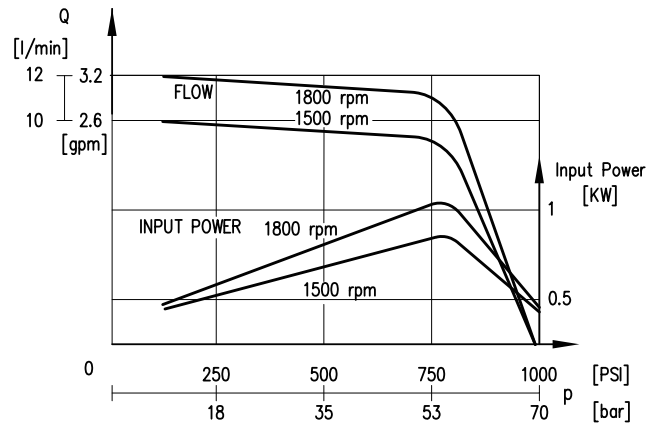
TYPICAL ORDERING CODE:
PVER-10B10-RF-0-1N-B

PERFORMANCE CURVES FLOW vs PRESSURE

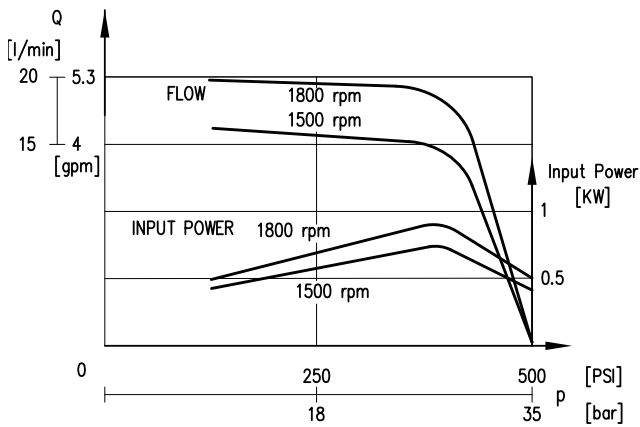
PVER-3B05



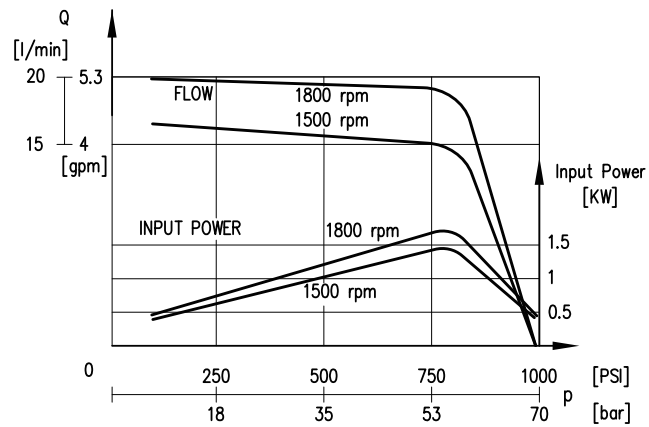
PVER-3B10



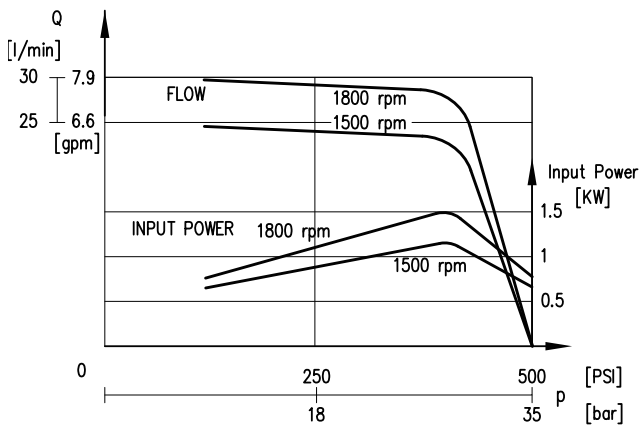
PVER-5B05



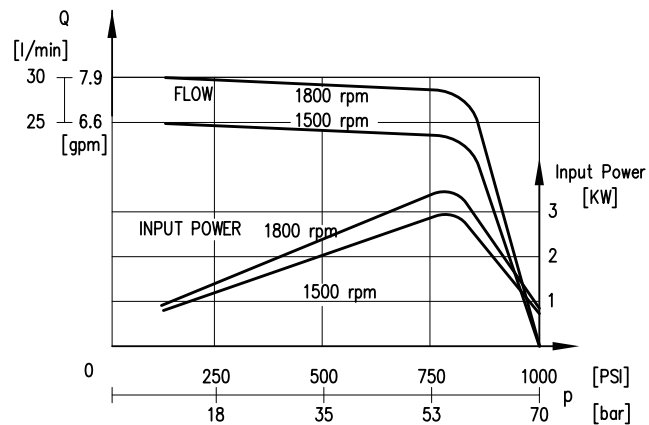
PVER-5B10



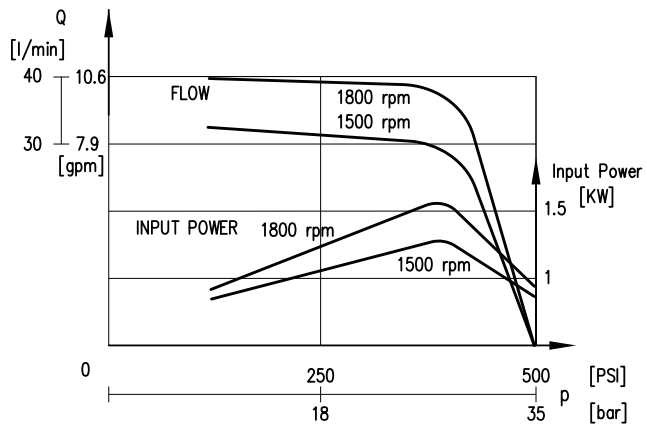
PVER-7B05



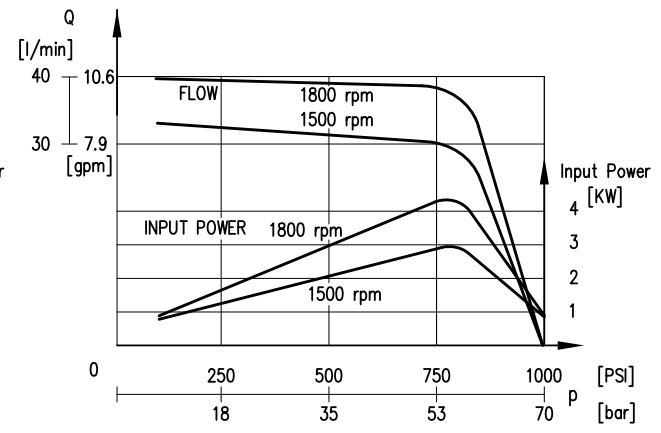
PVER-7B10



PVER-10B05

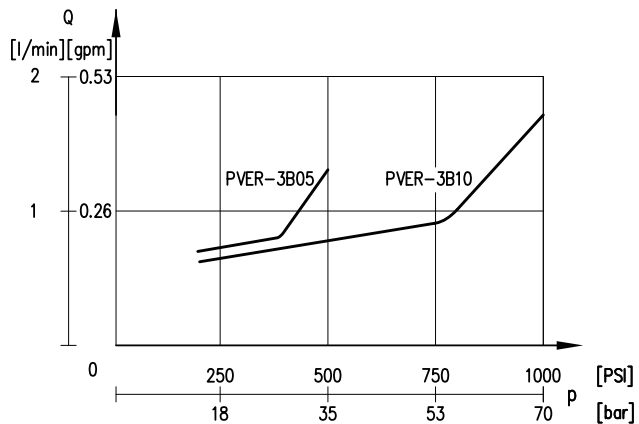


PVER-10B10

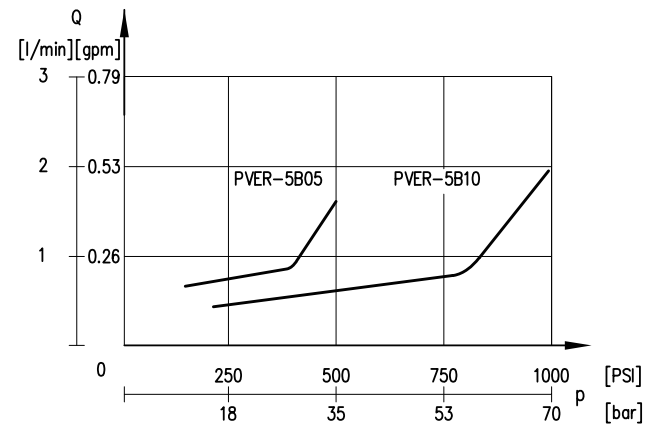


PERFORMANCE CURVES DRAIN FLOW RATE

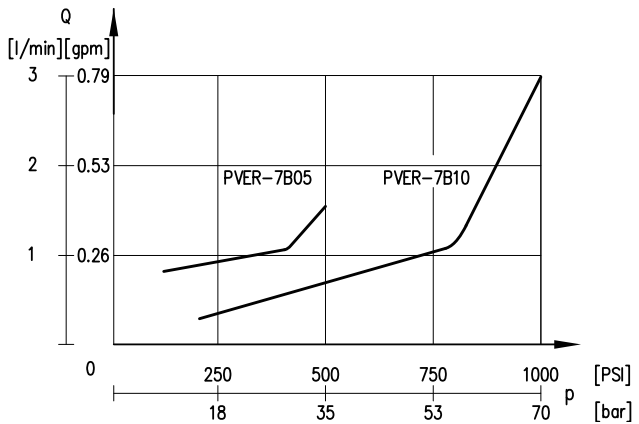
PVER-3B



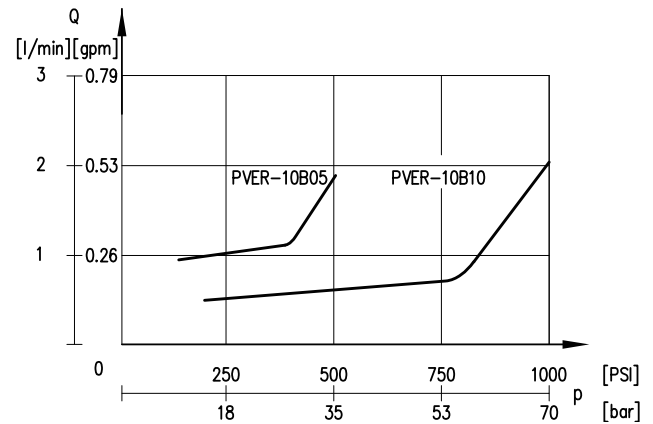
PVER-5B



PVER-7B



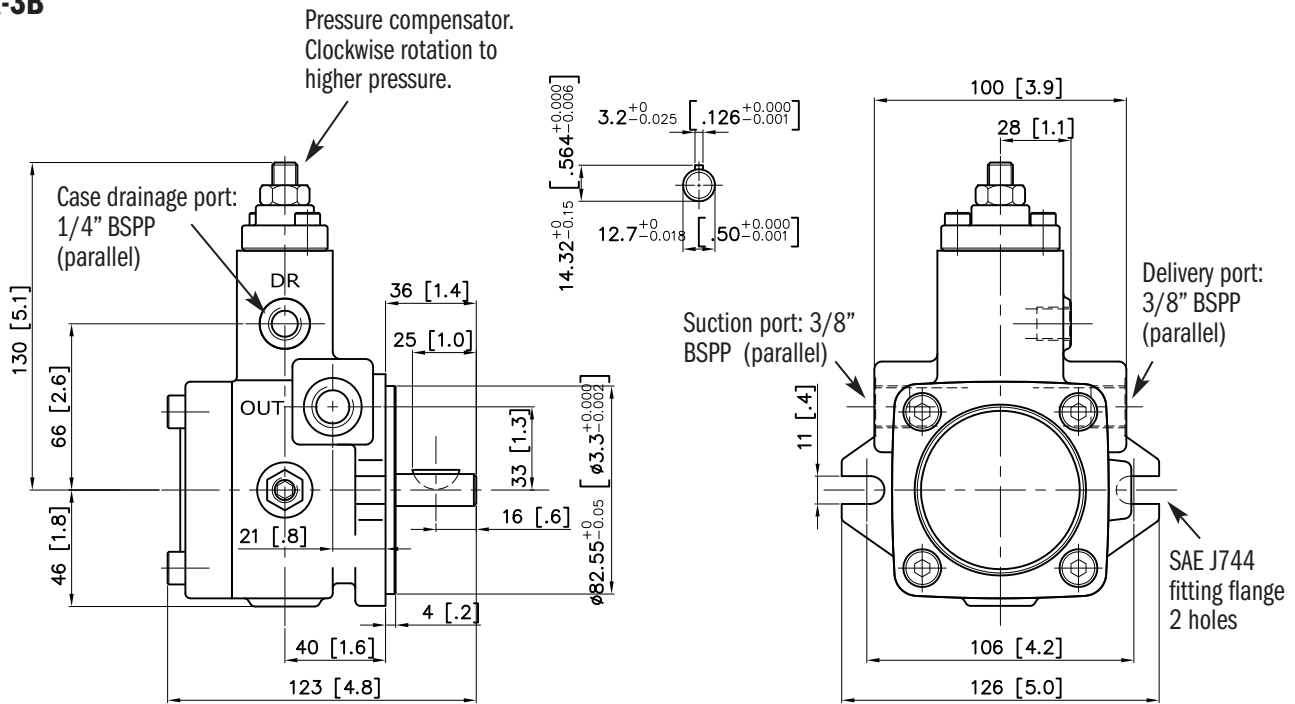
PVER-10B



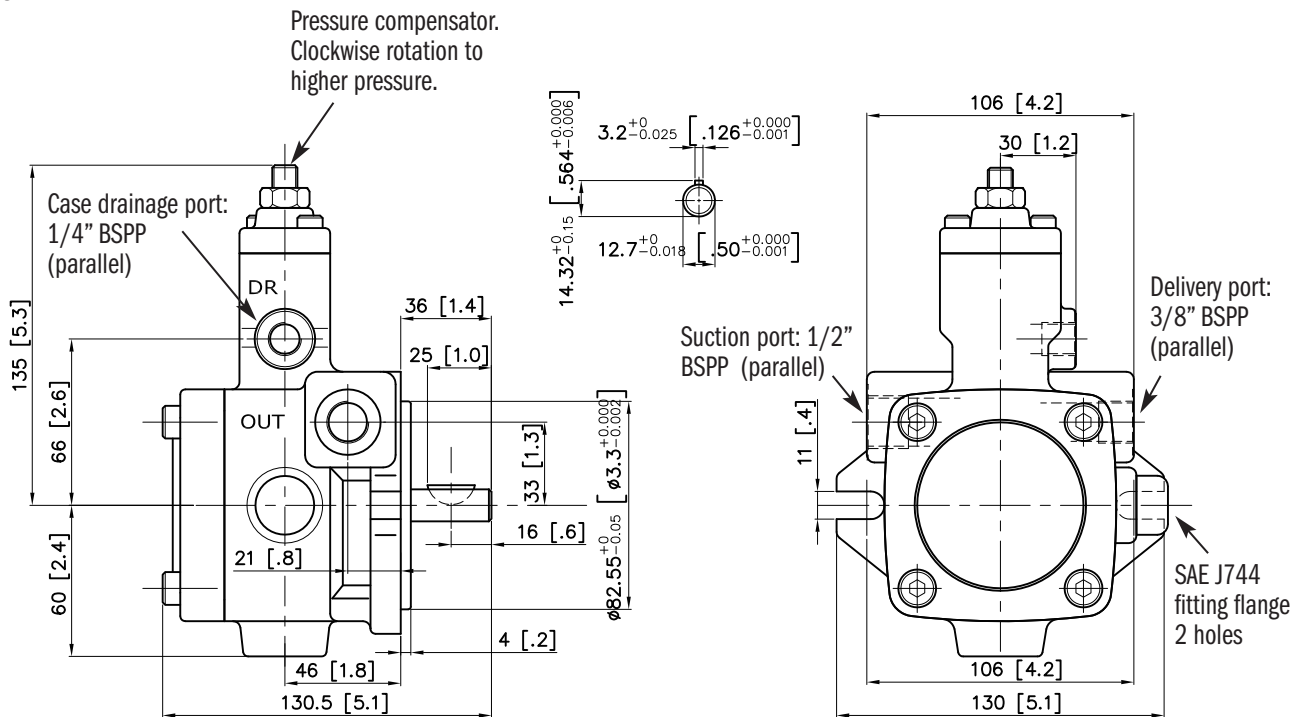
OVERALL AND MOUNTING DIMENSIONS

Dimensions in mm [IN]

PVER-3B



PVER-5B

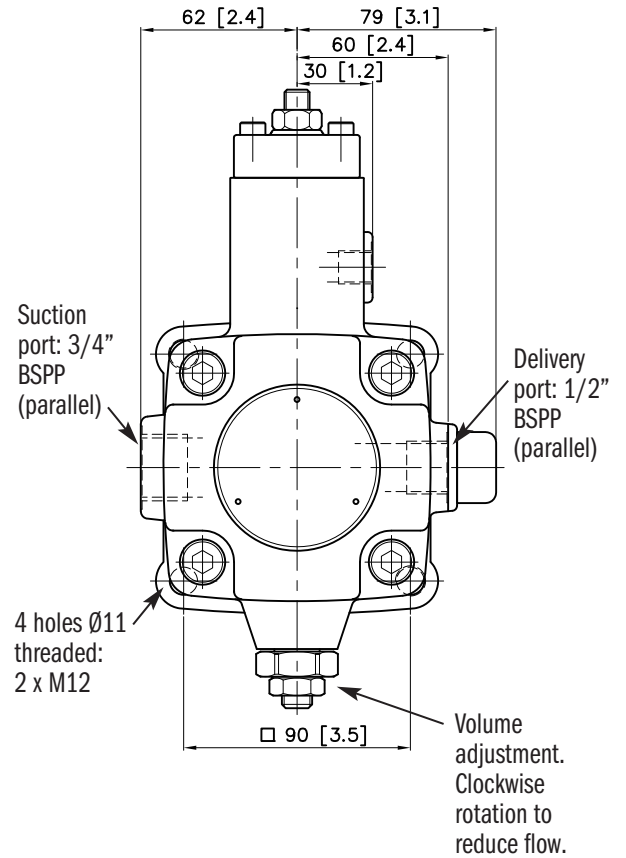
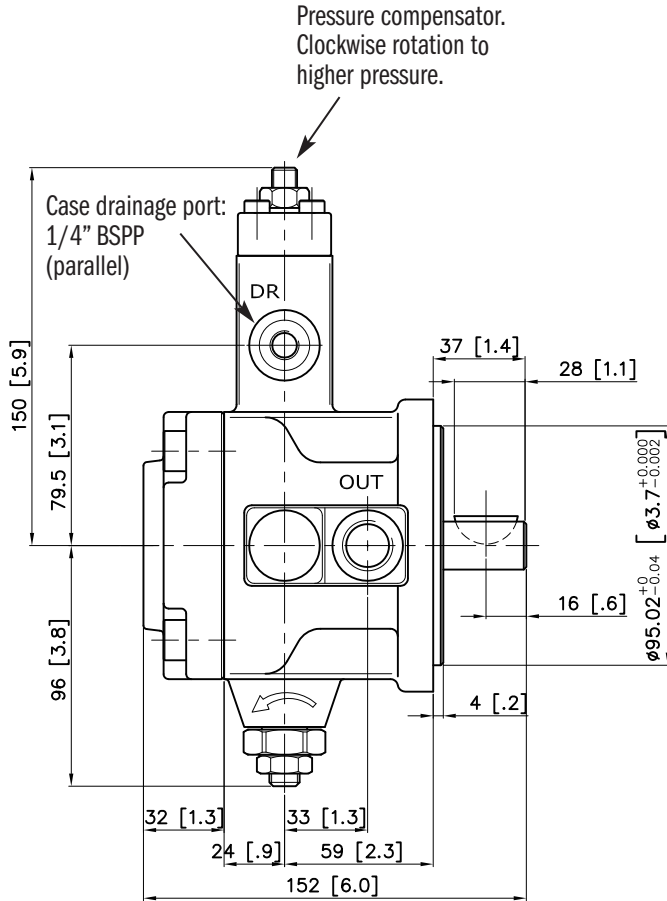


PVER VANE PUMPS

OVERALL AND MOUNTING DIMENSIONS

Dimensions in mm [IN]

PVER-7B, 10B





POWERFUL
CURATE
OVATIVE
PRECISE
URABLE
EFFICIENT
ERCATTLE

ABOUT CONTINENTAL HYDRAULICS

Rugged, durable, high-performance, efficient—the reason Continental Hydraulics' products are used in some of the most challenging applications across the globe. With a commitment to quality customer support and innovative engineering, Continental's pumps, valves, power units, mobile and custom products deliver what the markets demand. Continental has been serving the food production, brick and block, wood products, automotive and machine tool industries since 1962. Learn how our products survive some of the most harsh environments.

SALES@CONTHYD.COM

5505 WEST 123RD STREET • SAVAGE, MN 55378-1299 / PH: 952.895.6400 / FAX: 952.895.6444 / WWW.CONTINENTALHYDRAULICS.COM

CONTINENTAL



HYDRAULICS



Our international sales network covers every jurisdiction. Our global shipping partners mean you can be sure we're on hand whenever you need us.

Zeus Hydratech Ltd

Unit 35
Old Mills Industrial Estate
Paulton
Bristol, BS39 7SU
United Kingdom

T. +44 (0) 1172 130042
E: info@zeushydratech.com
W. www.zeushydratech.com