

50 YEARS

NACHI

NACHI EUROPE GmbH

OUR SYNERGY
YOUR PERFORMANCE

AXIAL PISTON PUMP PZH-SERIES



CELEBRATE THE POLE POSITION

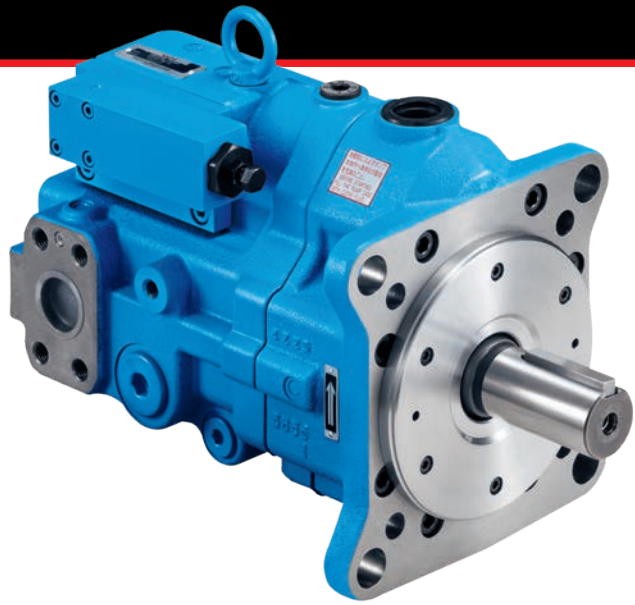


LOW
NOISE LEVEL
70dB(A)

Low noise level: 70dB (A)
at full cut-off at 350bar

PZH-SERIES

Axial Piston Pump for High-Pressure Application



Interfaces:

- ▶ Flange: SAE and ISO on board
- ▶ Key shaft, metric key shaft

Pressure & Flow:

- ▶ P_{max} : 350bar
- ▶ P_{peak} : 400bar
- ▶ Q: 45cm³/rev. and 72cm³/rev

Benefits:

- ▶ Low noise level: 70dB(A) at full cut-off at 350bar
- ▶ Energy-saving by use of highly-efficient spherical valve plate
- ▶ Very long lifetime with high load resistant Nachi-Bearings
- ▶ Different pressure compensator available

Features:

- ▶ Spherical valve plate with self-aligning function has minimised the leakage at high pressure
- ▶ Improved mechanical efficiency by reduced friction losses at high pressure
- ▶ Large port diameter for less internal pressure drop

Application Examples

FORGING MACHINES



INJECTION MOLDING



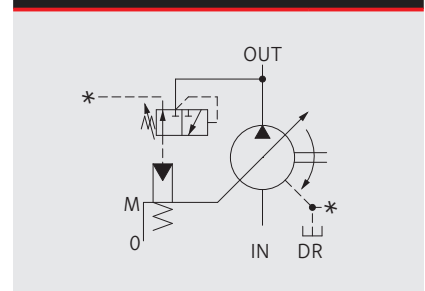
TESTBENCH



PUMP SPECIFICATION

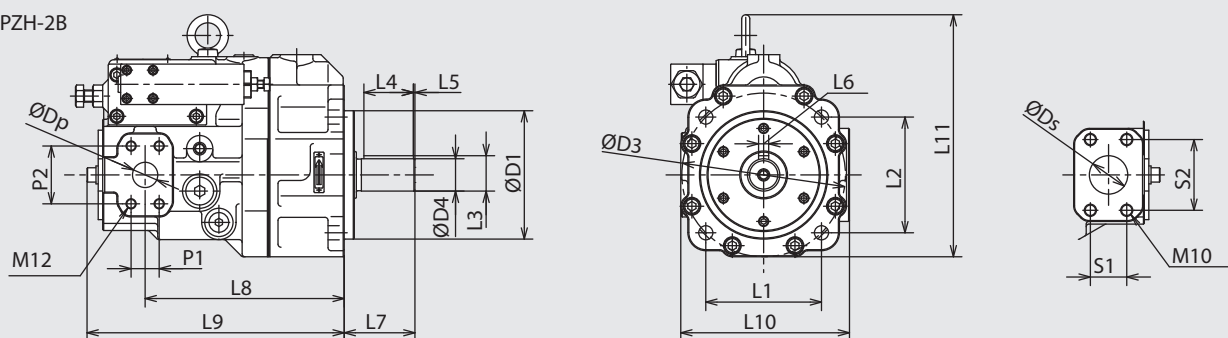
Model	Volume (cm ³ /rev)	Pressure (bar)		Pressure adjustment range (bar)	Speed (rpm)		Weight (approx.) kg
		Nominal	Maximum		Min.	Max.	
PZH-3B-72N5-10	72	350	400	20-350	500	2000	42
PZH-2B-45N5-10	45	350	400	20-350	500	2000	30

JIS SYMBOL



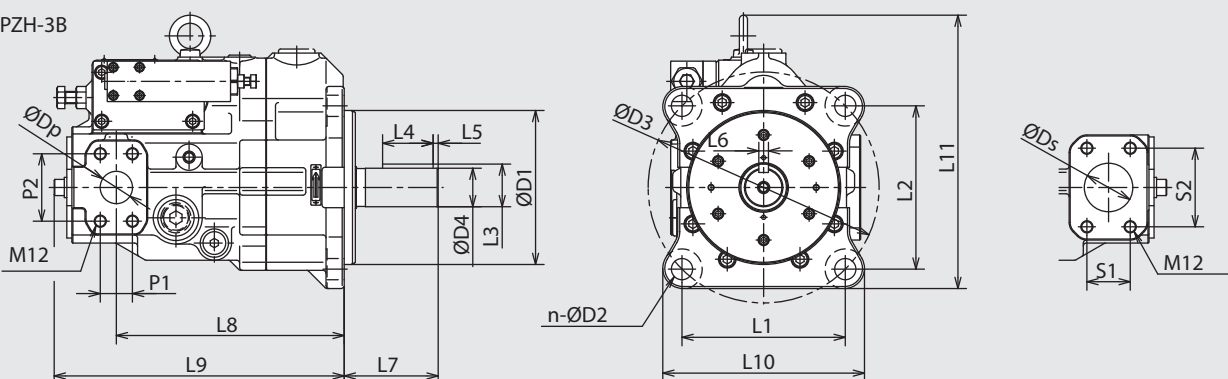
INSTALLATION DRAWING PZH

PZH-2B



PZH-2B	D1	D3	D4	L1/L2	L3	L4	L6	L7	L9	L10	L11	S1	S2	P1	P2
ISO	125	160	32	113.2/113.2	35	49	10	68	254	177	244	35.7	69.9	27.8	57.2
SAE	127	161.9	31.8	114.5/114.5	35.3	48	7.94	68	254	177	244	35.7	69.9	27.8	57.2

PZH-3B



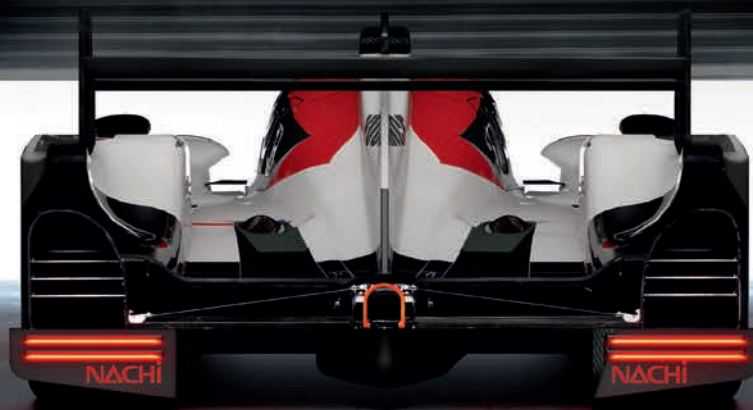
PZH-3B	D1	D3	D4	L1/L2	L3	L4	L6	L7	L9	L10	L11	S1	S2	P1	P2
ISO	160	200	40	141.4/141.4	43	55	12	93	287	200	270.5	42.9	77.8	31.8	66.7
SAE	152.4	228.5	38.1	161.1/161.1	42.2	55	9.53	93	287	200	270.5	42.9	77.8	31.8	66.7

PZH - □ B - □ □ □ 5 - (□) -10

Explanation of Model Code

- Design Number: 10
- Supplementary Symbol for Pump Mounting:
 - Blank: SAE standard basis outlet port locates laterally (mounting type A only)
 - M: ISO standard basis
 - Y: Outlet port locates upward (mounting type A only)
- Pressure Adjustment Range:
 - 5: 20 - 350bar
- Control Method:
 - N: Pressure compensator type
 - L: Constant horse power control (Please contact us)
- Pump Volume: 45cm³/rev. or 72cm³/rev
- Mounting Type
 - A: Foot mounting
 - B: Flange type
- Pump size:
 - 2: 45cm³/rev.
 - 3: 72cm³/rev.
- PZH Series: High-Pressure Variable Piston Pump

50 YEARS
NACHI
NACHI EUROPE GmbH
OUR SYNERGY
YOUR PERFORMANCE



NACHI-FUJIKOSHI CORP.

TOKYO

Shiodome Sumitomo Bldg., 1-9-2 Nigashi-shinbashi, Minato-ku Tokyo, JAPAN
Phone: +81 3 5568-5240 | Fax: +81 3 5568-5236

TOYAMA

1-1-1 Fujikoshi-Honmachi, Toyama, JAPAN
Phone: +81 76 423-5111 | Fax: +81 76 493-5211

Web: www.nachi-fujikoshi.co.jp/

NACHI EUROPE GmbH

Bischofstr. 99 | DE-47809 Krefeld, Germany | Phone: +49 2151 650 46-0 | Fax: +49 2151 650 46-90 | Web: www.NACHI.de | Email: info@NACHI.de