



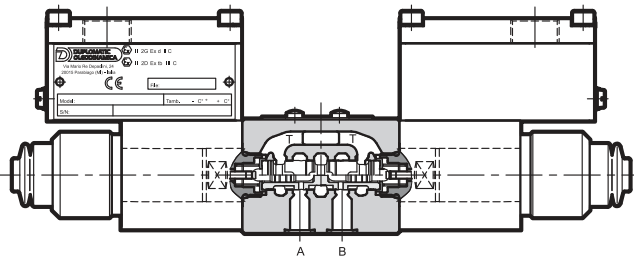
ZDE3K*

EXPLOSION-PROOF PRESSURE REDUCING VALVES in compliance with ATEX 94/9/EC SERIES 10

**SUBPLATE MOUNTING
ISO 4401-03 (CETOP 03)**

**p max 100 bar
Q max 15 l/min**

OPERATING PRINCIPLE



Type examination certificate number: CEC 13 ATEX 030-REV. 2

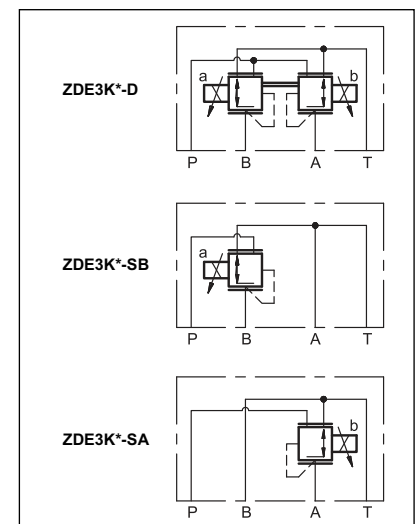
- ZDE3K* are direct operated pressure reducing valves, with electric proportional control, with ISO 4401-03 (CETOP RP121H) mounting surface.
- They are compliant with ATEX 94/9/EC standards and are suitable for the use in potentially explosive atmospheres, that fall within the ATEX II 2GD (temperature class T4 or T5) or I M2, for mines. See par. 6 for ATEX classification, operating temperatures and electrical characteristics.
- The statement of conformity to the up-mentioned standards is always supplied with the valves.
- The valves are used to reduce pressure in the secondary circuit branches thus ensuring stability of controlled pressure in the event of variations of the flow rate through the valve.
- A low temperature version (up to -40 °C) is also available.
- ZDE3K* valves are supplied with a finishing surface treatment (zinc-nickel) suitable to ensure a salt spray resistance up to 600 hours. (test operated according to UNI EN ISO 9227 standards and test evaluation operated according to UNI EN ISO 10289 standards).

PERFORMANCES

(obtained with mineral oil with viscosity of 36 cSt at 50°C and electronic control cards)

Operating pressure range:	bar	30 ÷ 100
Pressure allowed on T port (see par. 3)	bar	0 ÷ 30
Controlled pressure	bar	23
Maximum flow	l/min	15
Step response	ms	30
Hysteresis (with PWM 200 Hz)	% of p nom	< 4%
Repeatability	% of p nom	< ±1%
Electrical characteristic	see paragraph 6.6	
Operating temperatures (ambient and fluid)	see page 6, paragraph 6.5	
Fluid viscosity range	cSt	10 ÷ 400
Fluid contamination degree	According to ISO 4406:1999 class 18/16/13	
Recommended viscosity	cSt	25
Mass: single solenoid valve	kg	1,9
double solenoid valve	kg	2,8

HYDRAULIC SYMBOLS





1 - IDENTIFICATION CODE

	Z	D	E	3		-	/ 10		-	K9	/		
--	----------	----------	----------	----------	--	----------	-------------	--	----------	-----------	----------	--	--

Pressure reducing valve: _____

Electric proportional control: _____

Size ISO 4401-03 (CETOP 03): _____

Explosion-proof version: _____
Protection type of the coil: "d"
KD2 = classified as ATEX II 2GD for gas or for dust
KDM2 = classified as ATEX I M2, for mines

Solenoids: _____
D = pressure reduction in A and B ports
SA = pressure reduction in A port (solenoid on side B)
SB = pressure reduction in B port (solenoid on side A)

Series No. _____
(from 30 to 39 sizes and mounting dimensions remain unchanged)

Seals: _____
For temperature range -20 / +80 °C
N = NBR seals for mineral oil (standard)
V = FPM seals for special fluids
For temperature range -40 / +80 °C
NL = seal for low temperatures (for mineral oil)

NOTE: zinc-nickel standard finishing surface treatment.

Option: **/T5**
version in T5 temperature class.
See at par. 6.5
Omit if not required.

Manual override:
CM = boot protected **standard for both N and V seals** not available for NL seals
CB = blind ring nut **standard for NL seals** available upon request for both N and V seals
see paragraph 8

Connection type for cable gland
upper connection:
T01 = M20x1.5 - ISO 261
T02 = Gk 1/2 - UNI EN 10226-2
T03 = 1/2" NPT - ANSI B1.20.1 (ex ANSI B2.1)
side connection:
S01 = M20x1.5 - ISO 261
S02 = Gk 1/2 - UNI EN 10226-2
S03 = 1/2" NPT - ANSI B1.20.1 (ex ANSI B2.1)
S04 = M16x1.5 - ISO 261

Coil electrical connection:
by terminal block

Nominal solenoid voltage
D12 = 12V DC
D24 = 24V DC

2 - HYDRAULIC FLUIDS

Use mineral oil-based hydraulic fluids HL or HM type, according to ISO 6743-4. For these fluids, use NBR seals. For fluids HFDR type (phosphate esters) use FPM seals (code V). For the use of other fluid types such as HFA, HFB, HFC, please consult our technical department. Using fluids at temperatures higher than 80 °C causes a faster degradation of the fluid and of the seals characteristics. The fluid must be preserved in its physical and chemical characteristics.

3 - INSTALLATION



Installation must adhere to instructions reported in the *Use and Maintenance* manual, always attached to the valve. Unauthorized interventions can be harmful to people and goods because of the explosion hazards present in ATEX classified areas .

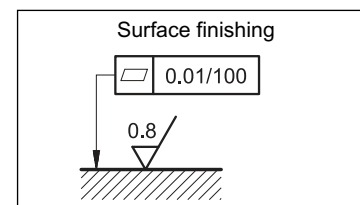
The valves can be installed in any position without impairing correct operation.

Ensure that there is no air in the hydraulic circuit.

Valves are fixed by means of screws or tie rods on a flat surface with planarity and roughness equal to or better than those indicated in the relative symbols. If minimum values are not observed fluid can easily leak between the valve and support surface.

Connect the valve T port directly to the tank. Add any backpressure value detected in the T line to the reduced pressure value.

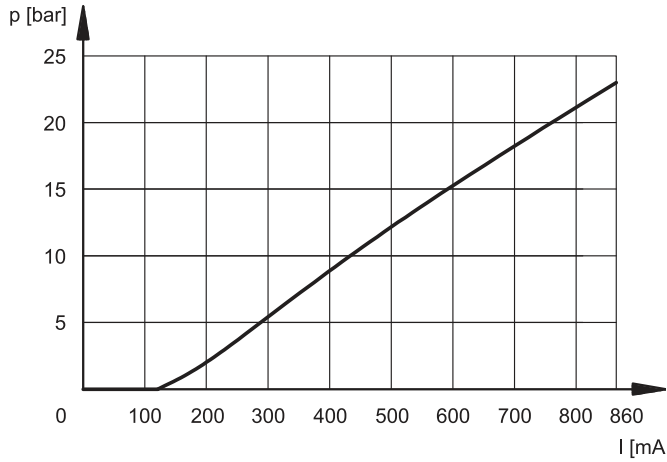
In the T line the maximum admissible backpressure is 30 bar, under operational conditions.



4 - CHARACTERISTIC CURVES

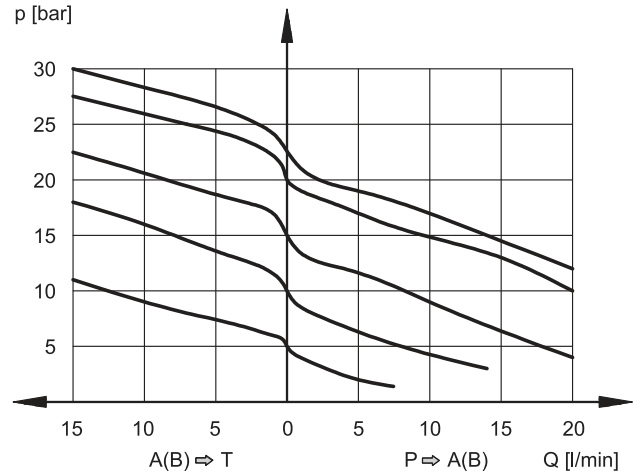
(obtained with ZDE3K*-D/10N-D24K9T01/CM with PWM 100Hz and oil with viscosity 36 cSt at 50°C)

PRESSURE CONTROL $p=f(I)$



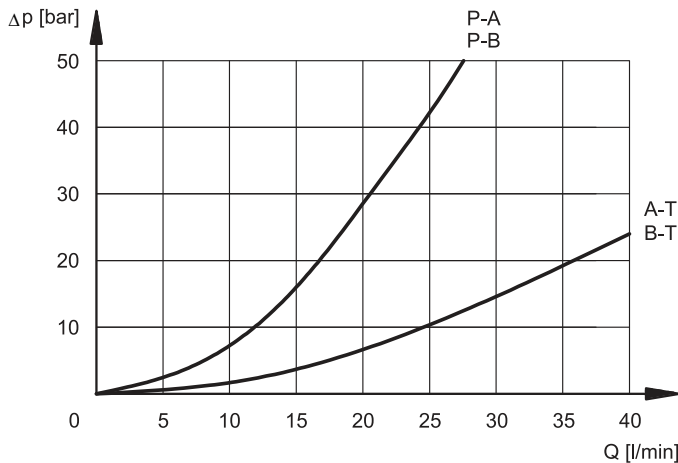
SA and SB versions pressure regulation is less than 0.5 bar.

PRESSURE VARIATION $p=f(Q)$



The curves have been obtained with inlet pressure 100 bar.

PRESSURE DROP $\Delta p = f(Q)$



5 - STEP RESPONSE

(with mineral oil with viscosity of 36 cSt at 50°C and with the relative electronic control unit)

Step response is the time taken for the valve to reach 90% of the set pressure value following a step change of reference signal.

The table illustrates typical step response times measured with input flow rate of $Q = 5$ l/min and $p = 50$ bar.

REFERENCE SIGNAL STEP	0 → 100%	100 → 0%
Step response [ms]	30	30

6 - ATEX CLASSIFICATION, OPERATING TEMPERATURES AND ELECTRICAL CHARACTERISTICS

Diplomatic certificates the combination valve-coil for the valves suitable for application and installation in potentially explosive atmospheres, according to ATEX directive prescriptions; **the supply always includes the declaration of conformity to the directive and the operating and maintenance manual, that contains all the information needed for a correct use of the valve in potentially explosive environments.**

Coils assembled on these valves have been separately certified according to ATEX directive and so they are suitable for use in potentially explosive atmospheres.

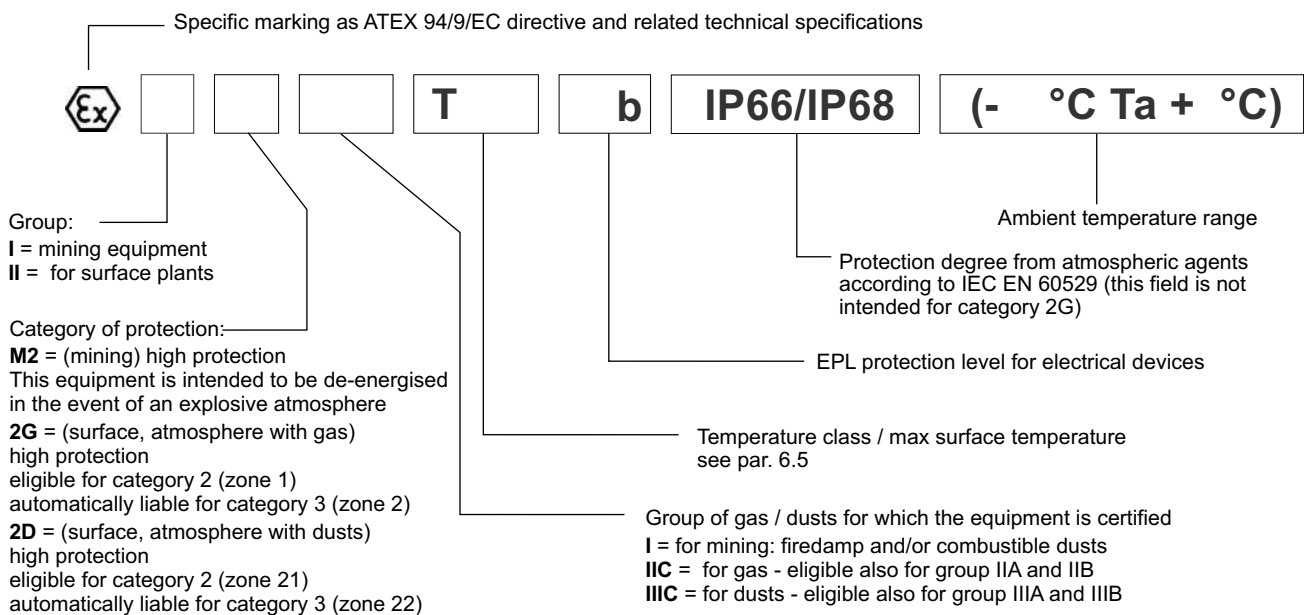
6.1 - ATEX classification for valves

The valves are suitable for applications and installations in potentially explosive atmospheres that fall within:

ATEX II 2G ATEX II 2D	*KD2	intended for use in areas in which explosive atmospheres caused by gases, vapours, mists or air/dust mixtures are likely to occur occasionally.
ATEX I M2	*KDM2	intended for use in underground parts of mines as well as those parts of surface installations of such mines likely to be endangered by firedamp and/or combustible dust. This equipment is intended to be de-energised in the event of an explosive atmosphere.

6.2 - ATEX marking for valves

valve code		N and V seals	NL seals
*KD2	for gas	II 2G IIC T4 Gb (-20°C Ta +80°C)	II 2G IIC T4 Gb (-40°C Ta +80°C)
	for dusts	II 2D IIIC T154°C Db IP66/IP68 (-20°C Ta +80°C)	II 2D IIIC T154°C Db IP66/IP68 (-40°C Ta +80°C)
*KD2 /T5	for gas	II 2G IIC T5 Gb (-20°C Ta +55°C)	II 2G IIC T5 Gb (-40°C Ta +55°C)
	for dusts	II 2D IIIC T129°C Db IP66/IP68 (-20°C Ta +55°C)	II 2D IIIC T129°C Db IP66/IP68 (-40°C Ta +55°C)
*KDM2	mining	I M2 I T150°C Mb IP66/68 (-20°C Ta +75°C)	I M2 I T150°C Mb IP66/68 (-40°C Ta +75°C)



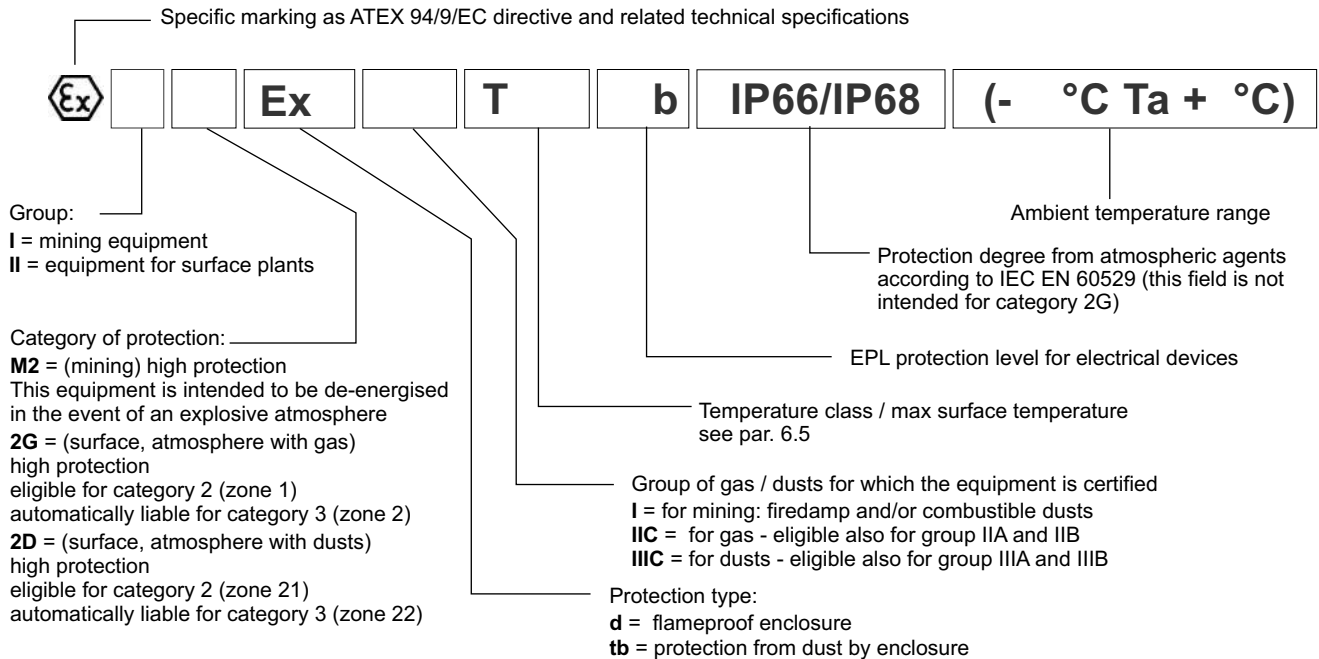
6.3 - ATEX classification for coils

The coil of the explosion-proof valves is identified with its own tag, which carries the relative ATEX marking. **The mechanical construction of the coil housing is made in order to ensure its resistance to possible internal explosion and to avoid any explosion propagation to the outside environment, matching an “Ex d” type protection (explosion-proof coil).**

Moreover, the solenoid is designed to maintain its surface temperature below the limits specified to the relevant class.

6.4 - ATEX marking for coils

for valve type *KD2	for gas	II 2G Ex d IIC T4 Gb (-40°C Ta +80°C)
	for dusts	II 2D Ex tb IIIC T154°C Db IP66/IP68 (-40°C Ta +80°C)
for valve type *KD2 /T5	for gas	II 2G Ex d IIC T5 Gb (-40°C Ta +55°C)
	for dusts	II 2D Ex tb IIIC T129°C Db IP66/IP68 (-40°C Ta +55°C)
for valve type *KDM2	mining	I M2 Ex d I T150°C Mb IP66/IP68 (-40°C Ta +75°C)



6.5 - Operating temperatures

These valves are classified according to their maximum surface temperature (EN 13463-1), which must be lower than the ignition temperature of the gases, vapors and dusts for which the area in which they will be used is classified.

The valves in group II can also be used for less limiting temperature classes (surface temperature allowed higher).

		temperature range	N and V seals	NL seals	Temperature class	eligible also for
ATEX II 2G ATEX II 2D	*KD2	of ambient	-20 / +80 °C	-40 / +80 °C	T4 (gas)	T3, T2, T1 T200°C and higher
		of fluid				
	*KD2 /T5	of ambient	-20 / +55 °C	-40 / +55 °C	T5 (gas)	T4, T3, T2, T1 T135°C and higher
		of fluid	-20 / +60 °C	-40 / +60 °C	T129°C (dusts)	
ATEX I M2	*KDM2	of ambient	-20 / +75 °C	-40 / +75 °C	T150°C	-
		of fluid				

6.6 - Electrical characteristics (values $\pm 5\%$)

NOMINAL VOLTAGE	V DC	12	24
RESISTANCE (at 20°C)	Ω	3.4	15.6
NOMINAL CURRENT	A	1.88	0.86
PWM FREQUENCY	Hz	200	100

DUTY CYCLE	100%
EXPLOSION-PROOF VERSION	According to ATEX 94/9/EC
ELECTROMAGNETIC COMPATIBILITY (EMC)	According to 2004/108/EC
CLASS OF PROTECTION: Atmospheric agents Coil insulation (VDE 0580)	IP66 / IP68 class H

7 - ELECTRICAL CONNECTION

7.1 - Wiring

In order to realise the electrical connection of the coil, it is necessary to access the terminal block (1) unscrewing the 4 screws (2) that fasten the cover (3) with the box (4) that contains the terminal block.

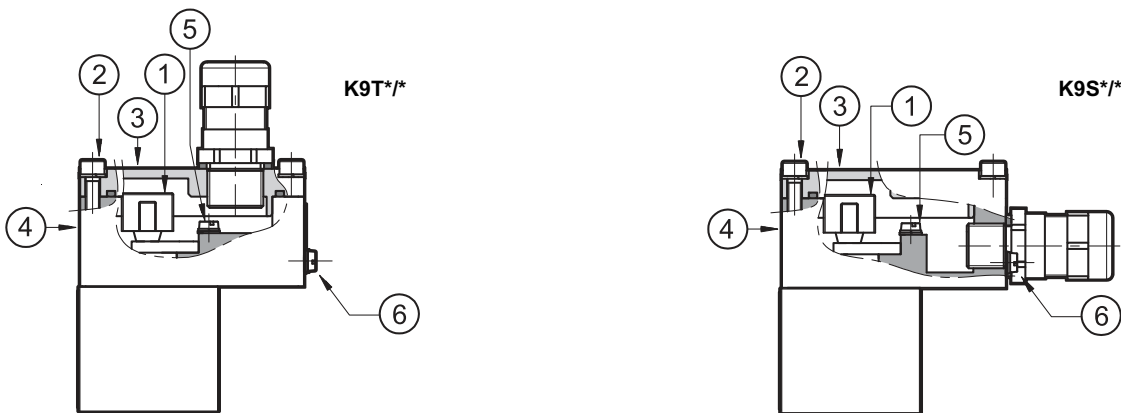
The electrical connection is polarity-independent.

By doing electrical connection it is important to connect also the grounding point (5) in the terminal block box (M4 screws), through suitable conductors with the general grounding line of the system.

On the external body of the coil there is a grounding point (6) (M4 screw) that allow to ensure equipotentiality between the valve and the general grounding line of the system; connecting this point the regulation of the EN 13463-1 standard, that impose to verify the equipotentiality of the elements included in a potentially explosive environment (the maximum resistance between the elements must be 100 Ω), is guaranteed.

At the end of the electrical wiring, it is necessary to reassemble the cover (3) on the box (4), checking the correct positioning of the seal located in the cover seat and fastening the 4 M5 screws with a torque of 4.9 ± 6 Nm.

Electrical wiring must be done following the instructions of the rules in compliance with ATEX standards.



Characteristics of the cables connectable for wiring are indicated in the table below:

Function	Cable section
Operating voltage cables connection	max 2.5 mm ²
Connection for internal grounding point	max 2.5 mm ²
Connection for external equipotential grounding point	max 6 mm ²

Cables for wiring must be non-armoured cables, with external covering sheath and must be suitable for use in environments with temperatures from - 20 °C to +110 °C (for valves either with N or V seals) or from - 40 °C to +110 °C (for valves with NL seals).

Cable glands (which must be ordered separately, see paragraph 10) allow to use cables with external diameter between 8 and 10 mm.

7.2 - Overcurrent fuse and switch-off voltage peak

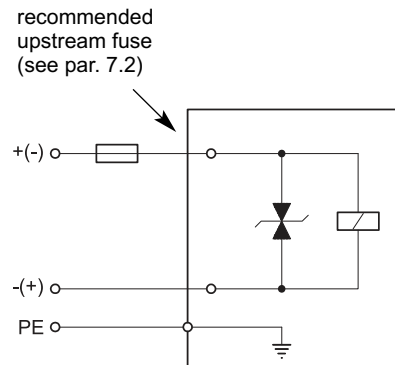
Upstream of each valve, an appropriate fuse (max 3 x I_n according to IEC 60127) or a protective motor switch with short-circuit and thermal instantaneous tripping, as short-circuit protection, must be connected. The cut-off power of the fuse must correspond or exceed the short circuit current of the supply source.

The fuse or the protective motor must be placed outside the dangerous area or they must be protected with an explosion-proof covering.

In order to safeguard the electronic device to which the valve is connected, there is a protection circuit in the coil, that reduces voltage peaks, which can occur when inductances are switched off.

The table shows the type of fuse recommended according to the nominal voltage of the valve and to the value of the voltage peaks reduction.

7.3 - Electrical diagram



Coil type	Nominal voltage [V]	Rated current [A]	Recommended pre-fuse characteristics medium time-lag according to DIN 41571 [A]	Maximum voltage value upon switch off [V]	Suppressor circuit
D12	12	1,7	2,5	- 49	Transient voltage suppressor bidirectional
D24	24	0,83	1,25	- 49	

8 - MANUAL OVERRIDE CB

CB - Blind ring nut

The metal ring nut protects the solenoid tube from atmospheric agents and isolates the manual override from accidental operations. The ring nut is tightened on a threaded fastener that keeps the coil in its position even without the ring nut.

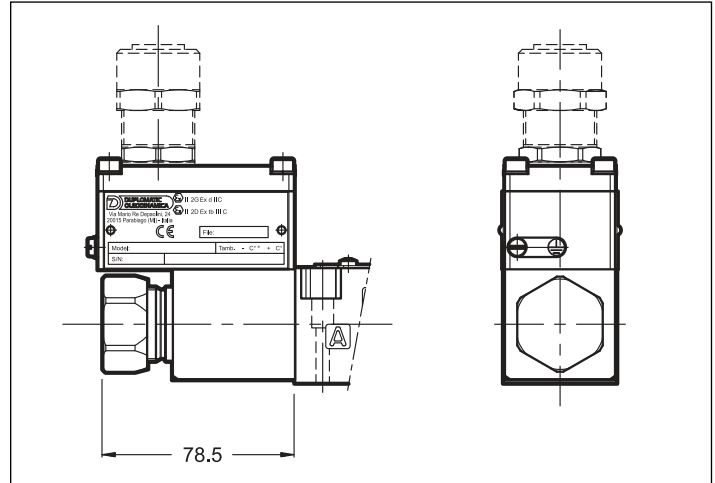
To access the manual override loose the ring nut and remove it; then reassemble hand tightening, until it stops.

Activate the manual override always and only with non-sparking tools suitable for use in ATEX areas classified.

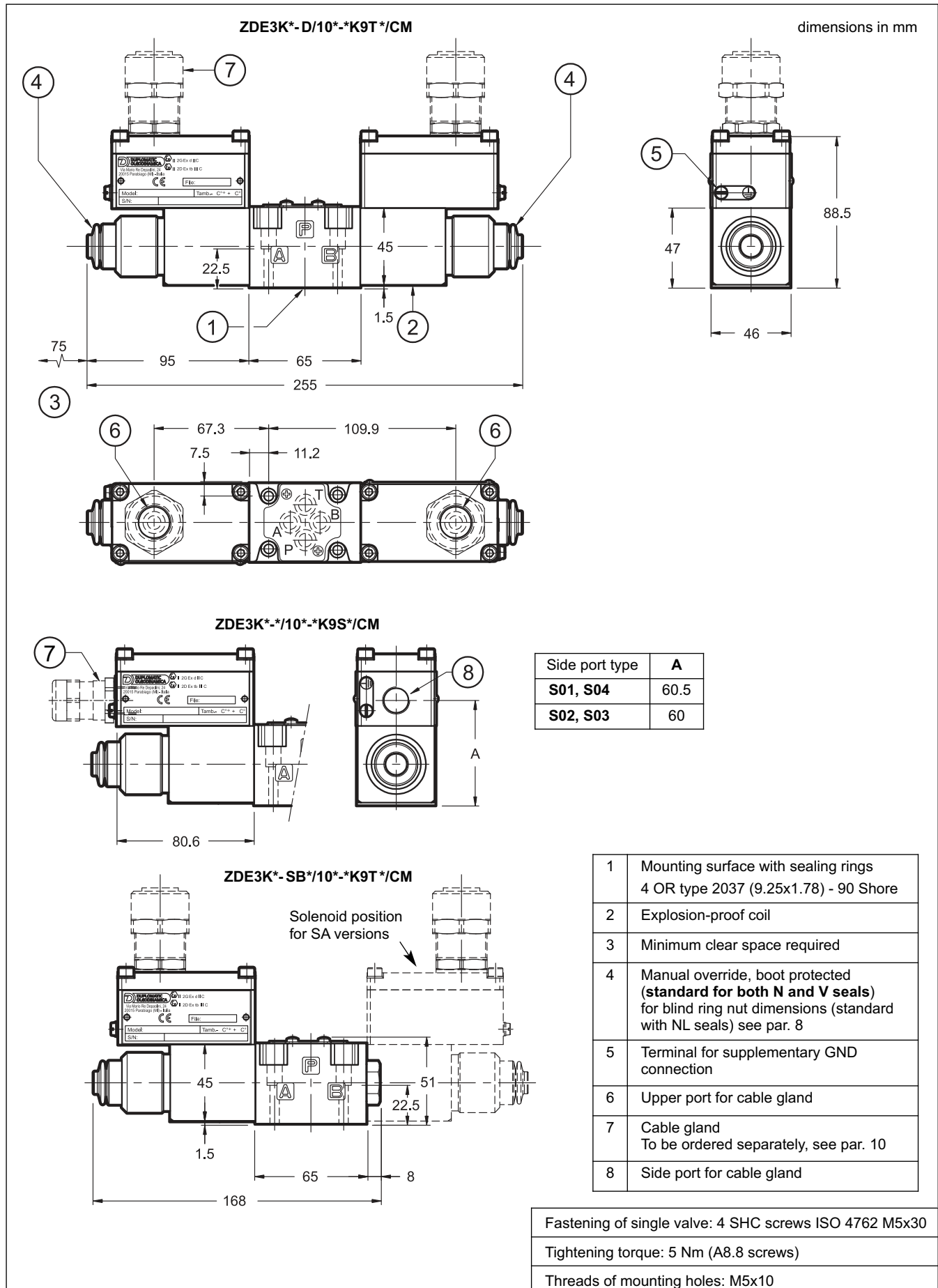
More information on safe use of ATEX classified components are provided in the instruction manual, always supplied with the valve.



CAUTION! The manual override doesn't allow any proportional regulation; indeed using this kind of override, the main stage spool will open completely and the whole inlet pressure will pass through A or B line.



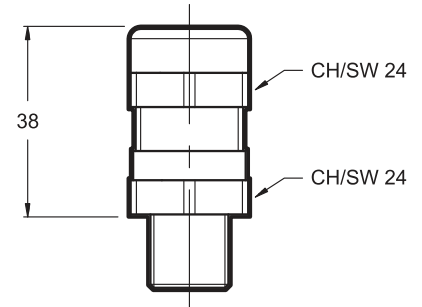
9 - ZDE3K* OVERALL AND MOUNTING DIMENSIONS



10 - CABLE GLANDS

Cable glands must be ordered separately; Duplomatic offers some types of cable glands with the following features:

- version for non-armoured cable, external seal on the cable (suitable for Ø8+10 mm cables);
- ATEX II 2GD and I M2 certified
- cable gland material: nickel brass
- rubber tip material: silicone
- ambient temperature range: -70°C ÷ +220°C
- protection degree: IP66/IP68
- tightening torque: 15 Nm



To order, list the description and the code of the version chosen from among those listed below:

Description: CGK2/NB-01/10

Code: 3908108001

M20x1.5 - ISO 261 male thread, suitable for coils with T01 and S01 connections. It is supplied equipped with silicone seal, that must be assembled between the cable gland and the coil, so as to ensure IP66/IP68 protection degree.

Description: CGK2/NB-03/10

Code: 3908108003

1/2" NPT - ANSI B1.20.1 (ex ANSI B2.1), suitable for coils with T03 and S03 connections. The customer must apply LOCTITE® 243™ threadlocker or similar between the cable gland connection thread and the coil in order to ensure IP66/IP68 protection degree.

Description: CGK2/NB-02/10

Code: 3908108002

Gk 1/2 - UNI EN 10226-2 male thread, suitable for coils with T02 and S02 connections. The customer must apply LOCTITE® 243™ threadlocker or similar between the cable gland connection thread and the coil in order to ensure IP66/IP68 protection degree.

Description: CGK2/NB-04/10

Code: 3908108004

M16x1.5 - ISO 261 male thread, suitable for coils with S04 connection. It is supplied equipped with silicone seal, that must be assembled between the cable gland and the coil, so as to ensure IP66/IP68 protection degree.

11 - ELECTRONIC CONTROL UNITS

ZDE3K*-SA* ZDE3K*-SB*

EDM-M111	for solenoid 24V DC	DIN EN 50022 rail mounting	see cat. 89 250
EDM-M142	for solenoid 12V DC		

NOTE: electronic control units offered are not certified according to ATEX 94/9/EC Directive; therefore, they must be installed outside the classified area.

ZDE3K*-D*

EDM-M211	for solenoid 24V DC	DIN EN 50022 rail mounting	see cat. 89 250
EDM-M242	for solenoid 12V DC		

12 - SUBPLATES

(see catalogue 51 000)

Type PMMD-AI3G with rear ports
Type PMMD-AL3G with side ports
P, T, A, B port threading: 3/8" BSP

NOTE: Subplates (to be ordered separately) do not contain neither aluminium nor magnesium at a higher rate than the value allowed by norms according to ATEX directive for categories II 2GD and I M2 .

The user must take care and make a complete assessment of the ignition risk, that can occur from the relative use in potentially explosive environments.



ZDE3K*

SERIES 10



DIPLOMATIC OLEODINAMICA S.p.A.
20015 PARABIAGO (MI) • Via M. Re Depaolini 24
Tel. +39 0331.895.111
Fax +39 0331.895.339
www.diplomatic.com • e-mail: sales.exp@diplomatic.com

